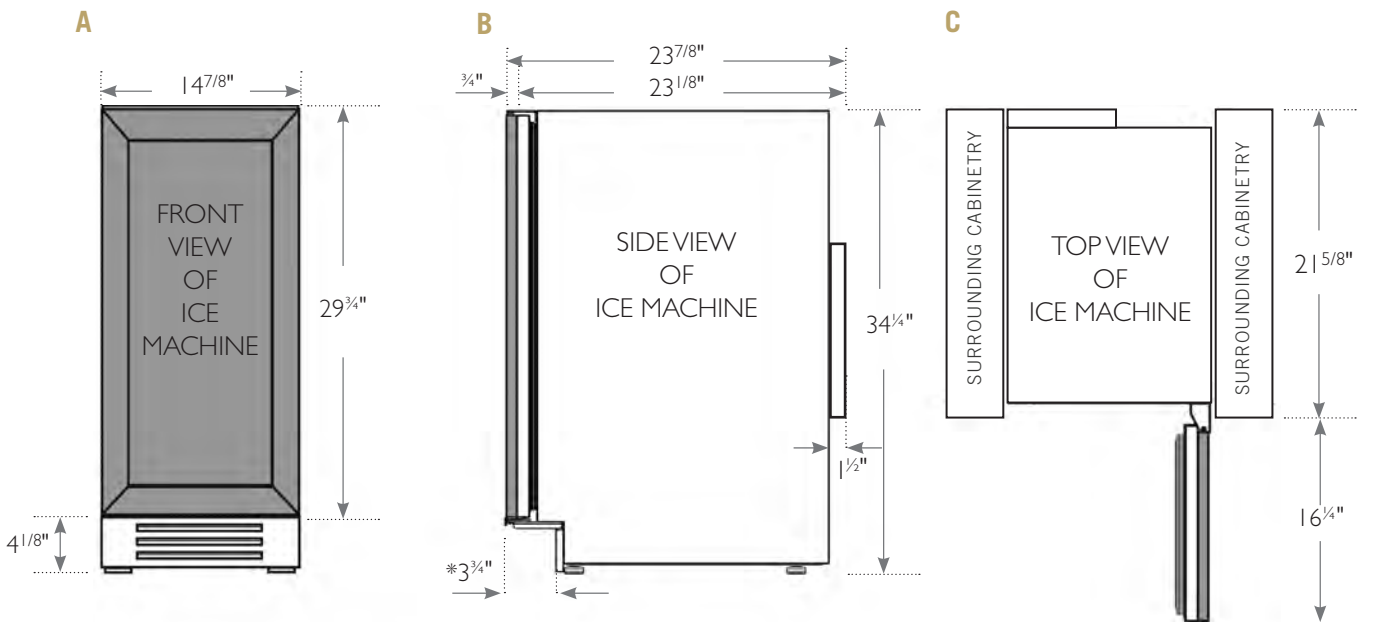


# 15 INCH OVERLAY PANEL



ICE MACHINE TUI-15-R/L-OP-B



Dimensions may vary by  $\pm 1/8"$

\*Including 3/4" thick panel (provided by others)

**NOTE: UNIT IS SHOWN WITH OPTIONAL PANEL / HANDLE PROVIDED BY OTHERS.**

## CUSTOM PANEL INSTALLATION

Overlay units can be fitted with custom panels to match adjacent cabinetry. Two specification options for panels sizes are given in these instructions for overlay units: Standard overlays and Integrated Panels. The standard overlay panel dimensions fully cover the provided appliance door. The integrated panel options extend above the door and conceal the hinge assembly to match full overlay cabinet doors. See pictures below for reference.

### STANDARD OVERLAY PANEL

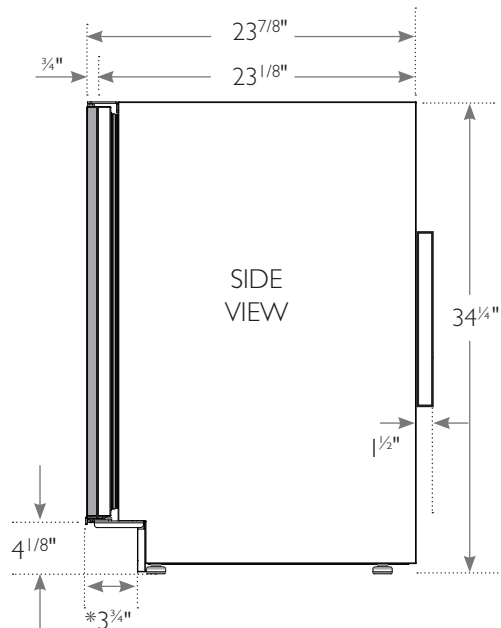
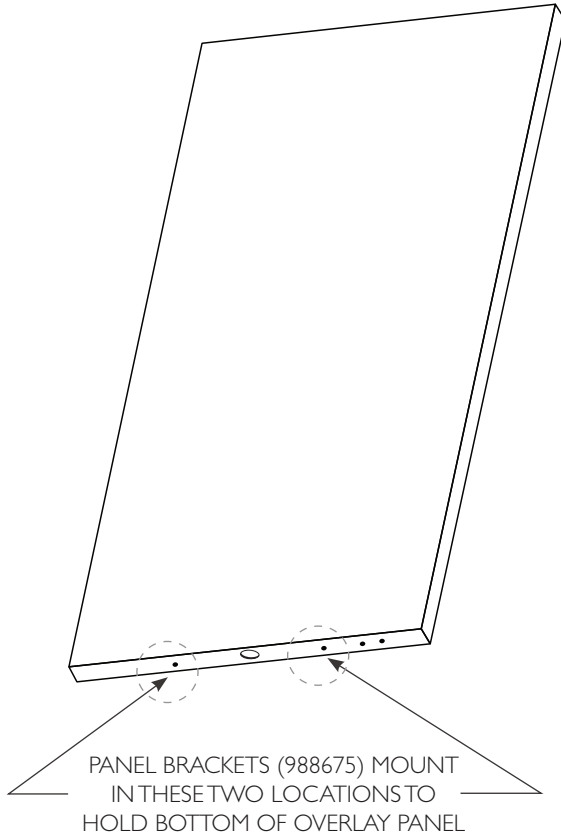


### INTEGRATED OVERLAY PANEL



# CUSTOM PANEL INSTALLATION - SOLID PANEL PANEL

## STANDARD OVERLAY PANEL



### SOLID DOOR PANEL DIMENSIONS

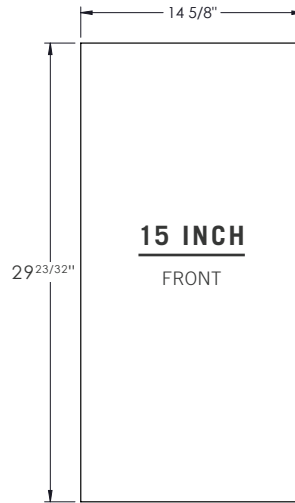
Door Panel Width	14 5/8"
Door Panel Height	29 23/32"
Door Panel Depth	3/4" max
Door Panel Weight	10 lb. max.

\*Including 3/4" thick panel (provided by others)

# CUSTOM PANEL INSTALLATION

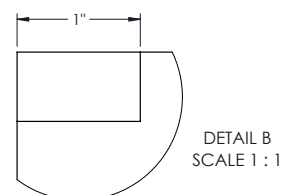
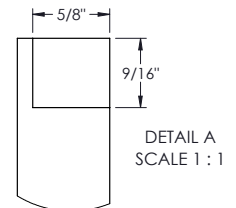
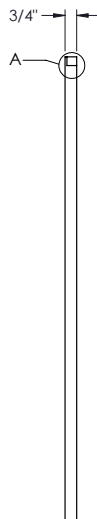
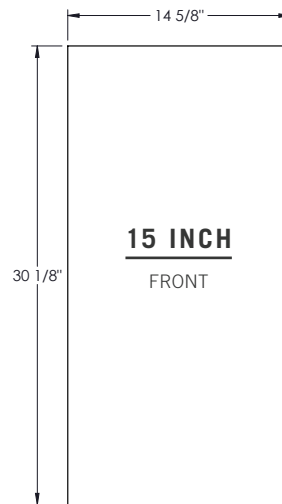
## STANDARD OVERLAY PANEL

SOLID DOOR	15 INCH
DOOR PANEL WIDTH	14 <sup>5</sup> / <sub>8</sub> "
DOOR PANEL HEIGHT	29 <sup>23</sup> / <sub>32</sub> "
DOOR PANEL DEPTH	3/4" max
DOOR PANEL WEIGHT	20 lb. max
RAIL STYLE DIMENSION	2" min



## INTEGRATED OVERLAY PANEL

SOLID DOOR	15 INCH
DOOR PANEL WIDTH	14 <sup>5</sup> / <sub>8</sub> "
DOOR PANEL HEIGHT	30 <sup>1</sup> / <sub>8</sub> "
DOOR PANEL DEPTH	3/4" max
DOOR PANEL WEIGHT	20 lb. max
RAIL STYLE DIMENSION	2" min



## CUSTOM PANEL INSTALLATION

Required Tools:

- Phillips Screwdriver
- 3/8" Wrench
- 1/8" Drill Bit
- Three (3) Screws #6

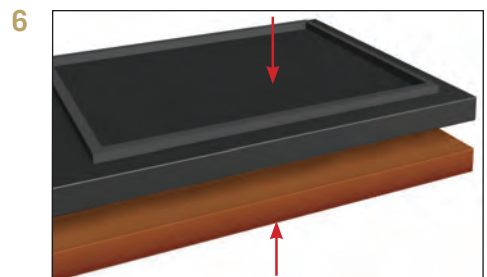
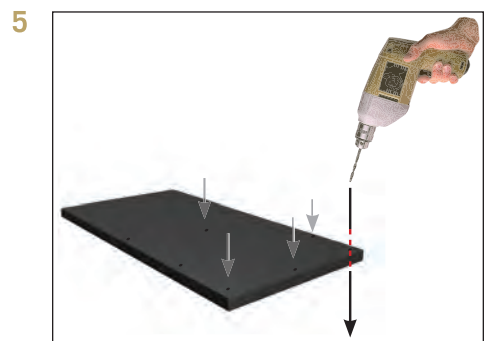
SEE PAGE 16 FOR OVERLAY PANEL DIMENSIONS BEFORE INSTALLING.

FOR EASY OVERLAY INSTALLATION, ICE MACHINE DOOR REMOVAL IS REQUIRED.

1. Open front door and pull kickplate forward to remove.
2. To remove door, back out two bottom hinge screws with a 3/8" wrench. Secure door while removing screws. Remove two Phillips screws from the top hinge. Save all these screws for later reinstall.
3. Lay door on a safe solid surface. Lay cardboard or other safe material down before working on the door.
4. Remove door gasket from the inside of the door frame. Place gasket to the side for later reinstall.
5. There are pre-marked areas on the front of the door. Drill these pre-marked holes with 1/8" drill bit. Make sure to drill all the way through the door.

**NOTE: IF HANDLE IS BEING USED ON OVERLAY, INSTALL IT BEFORE STEP 8 (SEE IMAGE A ON PAGE 22). FOR BEST INSTALLATION, SCREWS ATTACHING HANDLE SHOULD BE RECESSED.**

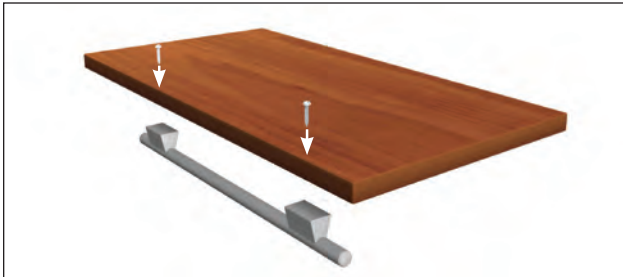
6. It is recommended to clamp the door front on top of the overlay before drilling pilot holes and installing anchor screws. The clamp ensures the overlay panel and door stay aligned with each other while installing. Once panel is clamped in place, pilot holes may be drilled into the panel from the rear side of the door. Mark to only drill 1/2" into rear side of door.



## CUSTOM PANEL INSTALLATION

- Once all holes are pre-drilled, use the appropriate specified screws to secure the overlay panel onto the front of the ice machine door. Be sure to attach the bottom of the panel to the door using the brackets.
- Reinstall all components in reverse order. Door gasket snaps back into place. Overlay panel and door stay aligned with each other while installing.

IMAGE A



OVERLAY PANEL

